



# Mission Partner Environment (MPE) / Multinational Information Sharing (MNIS)

Angela Smith  
Chief, MNIS Division  
22 April 2016



## Presentation Disclaimer

“The information provided in this briefing is for general information purposes only. It does not constitute a commitment on behalf of the United States Government to provide any of the capabilities, systems or equipment presented and in no way obligates the United States Government to enter into any future agreements with regard to the same. The information presented may not be disseminated without the express consent of the United States Government. This brief may also contain references to United States Government future plans and projected system capabilities. Mention of these plans or capabilities in no way guarantees that the U.S. Government will follow these plans or that any of the associated system capabilities will be available or releasable to foreign governments.”



# Multinational Information Sharing

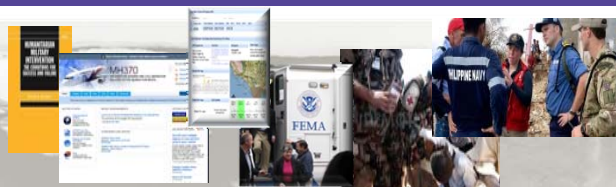


## Command and Control

Combined Enterprise Regional Information Exchange System (CENTRIXS)

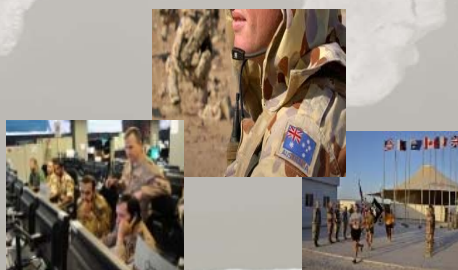
Common Mission Network Transport (CMNT)

Virtual Data Center (VDC)



## Unity of Effort

Unclassified Information Sharing Service (UISS)



## Coalition Interoperability

Combined Federated Battle Laboratory Network (CFBLNET)

Coalition Interoperability Assessment and Verification (CIAV)

ENTERPRISE INFRASTRUCTURE



## Multinational Information Sharing

- **CENTRIXS** - Allows US and coalition nations and their forces to securely share operational/intelligence information in Communities of Interest (COI) Network
- **CMNT** - Provides a transport for coalition information sharing (replaces the use of SIPR)
- **VDC** - Provides the ability to rapidly establish separate, simultaneous COIs in the Mission Partner Environment (MPE).
- **UISS** - Provides the single enterprise solution for sharing non-classified information with non-traditional partners for Humanitarian Assistance and Disaster Recovery missions
- **CFBLNet** - Evaluates shortfalls in Multinational Information Sharing capabilities by providing continuously available network infrastructure to test technologies with mission partners and ease transition into an operational coalition network environment
- **CIAV** - Assures interoperability information exchanges and operational information exchange processes



# MPE Enduring / Episodic

***Application of MPE Principles, Network Relationships and Characteristics differ***  
*(known steady state relationships vs. unknown situation shaped coalition membership)*

## **MPE Enduring: Strategic Level (information sharing & planning)**

- Asynchronous and non-real time information sharing
- Persistent – time not a factor
- Specified Mission Partners (bilateral or multi-lateral “Communities of Interest)
- Combatant Command (CCMD) HQ capabilities for Mission Partner engagement/planning
- Technologically dependent
- Integrated with and enabled by Joint Information Environment (JIE)

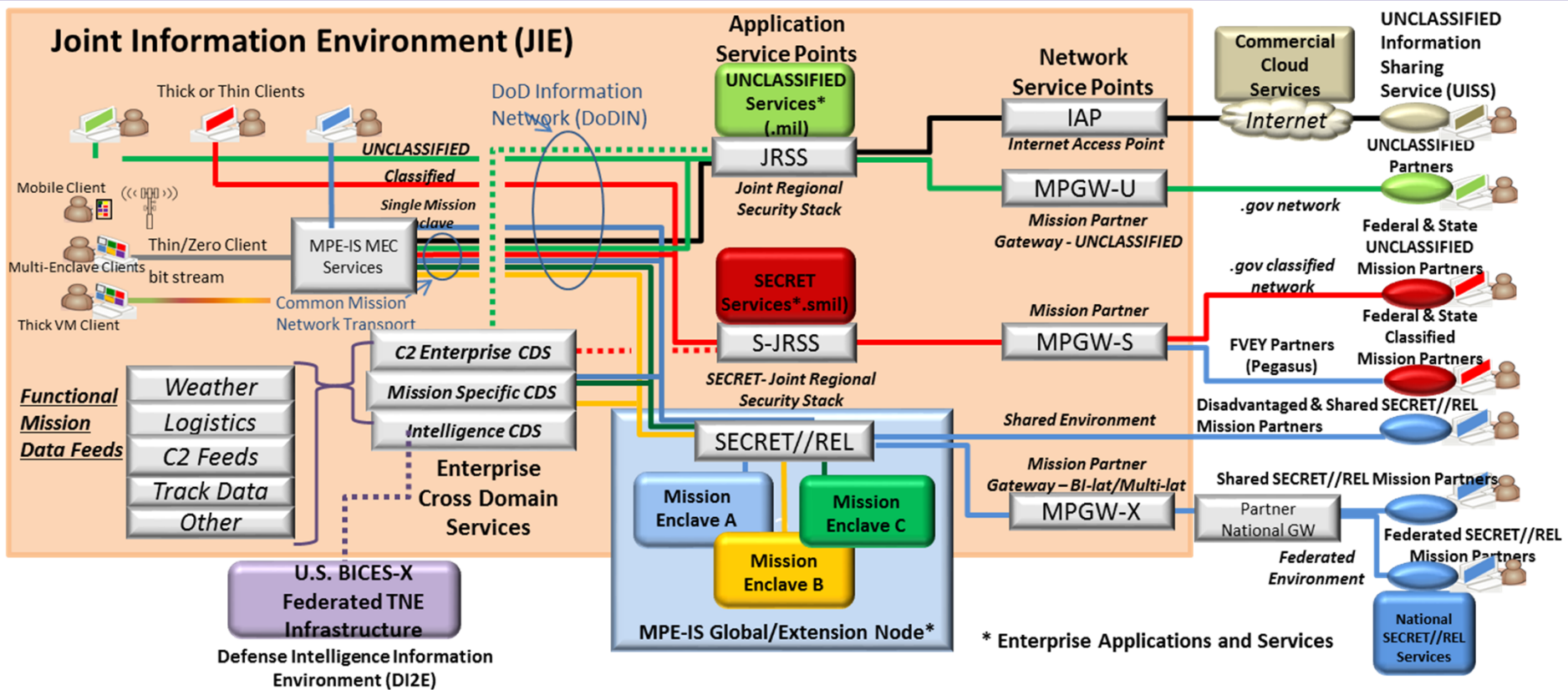
## **MPE Episodic: Operational to Tactical Level (Conduct Operations)**

- Synchronous and near-real-time or real-time conduct of operational mission tasks
- Episodic – time to establish always a factor
- Mission Focused (exercise or contingency operation)
- Unknown mission partners, emergent mission; unknown duration
- JTF and component capabilities for peer to peer Mission Partner operations
- US may not be lead; but must leverage JIE to contribute DOTMLPF- P & TTPs

***“US and Mission Partners collaborate in Mission Partner Environment (MPE) Enduring environments day to day with the capability to transition to conducting operations within a MPE Episodic for any operation”***

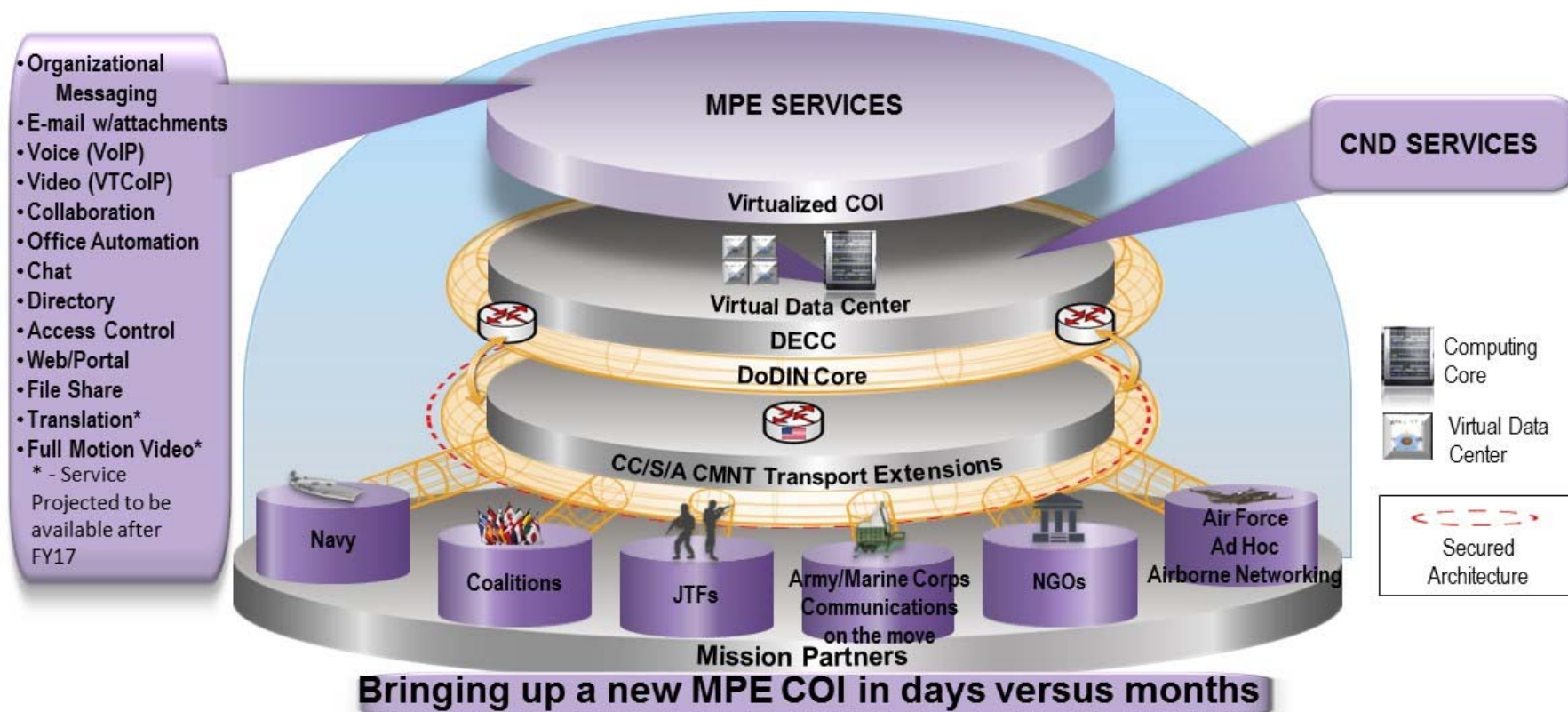


# Mission Partner Environment (2021)





# MPE FY16/17 Transport & Computing Infrastructure Core





# CENTRIXS GCTF Tech Refresh

Host more than one COI / Customers pay for capacity and license

UNCLASSIFIED

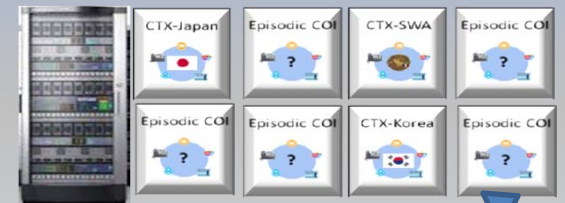
## Initial VDC Node



- CENTRIXS GCTF
- COI 1
- COI 2
- COI 3

Same Hosting Node

## VDC Node with Expanded COI (Enduring & Episodic) Support



- CENTRIXS GCTF
- EUCOM COI
- AFRICOM COI
- CENTCOM COI

- Enduring Infrastructure enables Readiness & Episodic Requirements (flexible enterprise licenses)
- Virtualizes & moves service delivery nodes closer to the Customer/Theater Edge
- Greater efficiencies & reduction in hardware footprint

- Ability to immediately stand up COIs (images) from baselined Virtual Machines; enables rapid standup of fully configured COI (in hours)
- Reduces network setup time from months to hours, even minutes
- Portfolio of Enterprise Capabilities available for CCMDs & Coalitions
- CCMDs pay for capacity and licenses

UNCLASSIFIED

UNITED IN SERVICE TO OUR NATION





# Proposed MPE-IS Regional Points of Presence

FY16 and beyond



DISA proposed Regional PoPs	FY16	FY17	FY18
EUROPE VDC	X		
FGGM Tier III Env	X		
FGGM Integration Env	X		
FGGM Coalition Env	X		
CONUS 1 VDC (OCO)	X		
TECC-B VDC (OCO)		X	
PACIFIC VDC		X	
PACIFIC RIM VDC			X
CONUS 2 VDC			X
<b>Total Cost</b>	<b>\$10.6M</b>	<b>\$8.2M</b>	<b>\$5.6M</b>

## MNIS CENTRALIZED ENTERPRISE MANAGEMENT

- Standardized Architecture
- Automated Services
- Configuration/Patches
- RMF
- NetOps – Tier I, II, III
- Computing/Transport/Network Svcs
- Provisioning
- Security
- Connection Support
- Core Services
- Service Model
- Agile Environments

*MNIS provides IT services so that CCMDs can concentrate on their mission*

- Transport
- Email
- File
- Chat
- VOIP
- VDI
- SharePoint
- CND-SP
- HBSS
- VTC (FY17/18)
- FMV (FY17/18)
- COP (FY17/18)

## DECENTRALIZED EXECUTION



## Introduce Panelist's

- **DoD CIO – MPE-IS Policy/Architecture – Tom Lam**
- **Joint Staff J6 – UISC/ MPE Requirements Tom Lang/ Michael Richards**
- **CENTCOM J6 – Virtualized Data Centers (Pathfinder) – Laurie Marshall**
- **EUCOM J6 V2CDS – Voice/Video Cross Domain Solutions - LTC James Powers**
- **PACOM J6 – Agile Virtual Enclave (AVE) – Mark Fink**